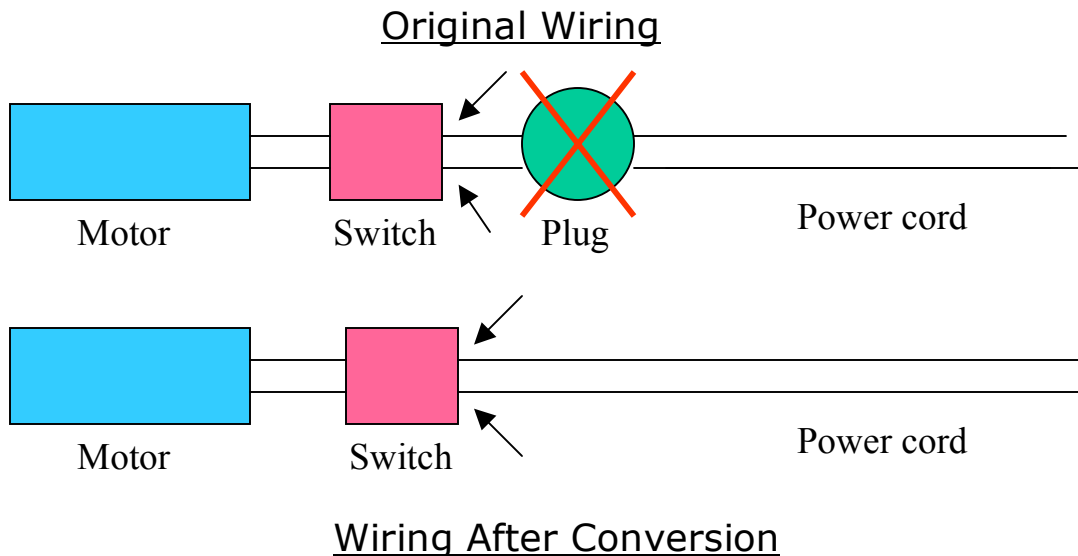


The IVAC Conversion Theory

Northern Tails Sharpening, Mobile Alabama. 251-232-5353 www.northerntails.com



The concept of the "direct wire" conversion is to eliminate the bayonet plug between the power source and the switch. This procedure DOES NOT affect the warranty on the motor because we are only working ahead of the switch, and not behind it around the motor. (see simple diagram below)



Make sure you make a small "dip" in the cord when you ziptie it to the vacuum hose, this gives it flexibility. If you don't, it could pull the cord locking system out of the back of the clipper, and that is not a warranty situation. The unit was tested for strength under normal conditions, so please don't try to test it yourself, or accidentally step on the cord and pull it out. That's how the plug was broke in the first place.